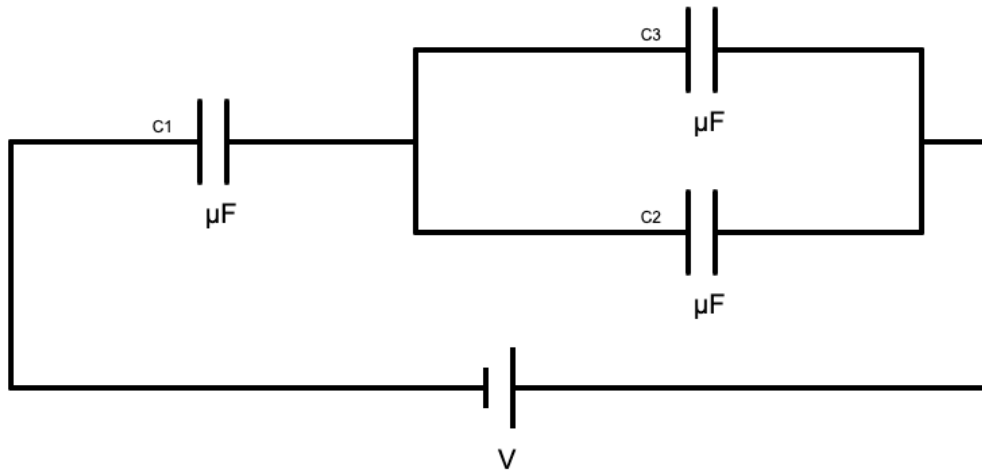


# Parallel of Capacitors in Series

Step 1: Fill in the values of your capacitors and your battery.



Step 2: Calculate the capacitance of the parallel branch and then the total capacitance of the circuit. Show your work neatly below.

Step 3: Calculate the total charge stored in the circuit. Show your work neatly below.

Step 4: Calculate the voltage across and energy stored in each individual capacitor. Show your work for at least one capacitor. Put all your values for charge, voltage, and energy into your picture.

Step 5: Finally, enter your answers into the program to make sure you did everything correctly.