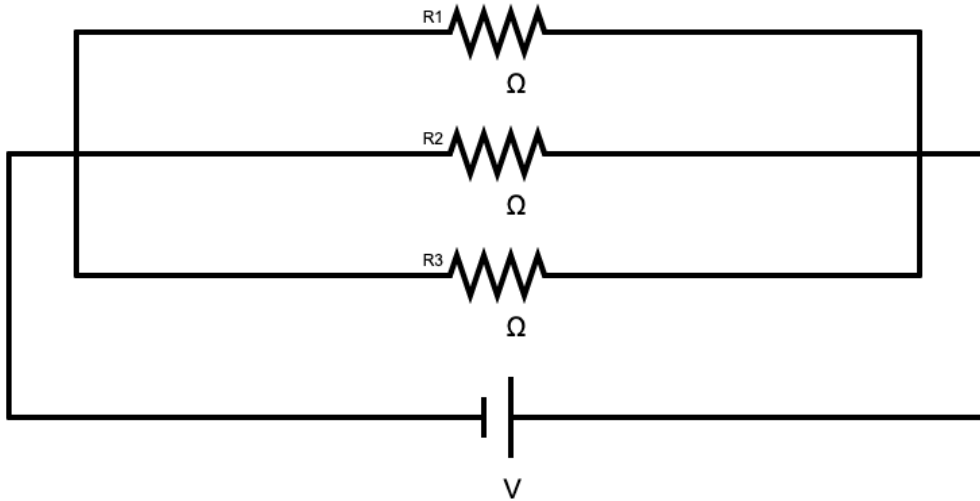


Parallel Circuit Current Problem

Step 1: Fill in the values of your resistors and your battery. Draw in the flow of your current and fill in the voltages for each of the resistors.



Step 2: Calculate the current for each of the resistors. Show your work for one of these in the space below and then draw the currents into your picture above.

Step 3: Calculate the total resistance of the circuit. Show your work neatly below.

Step 4: Finally, enter your answers into the program to make sure you did everything correctly.