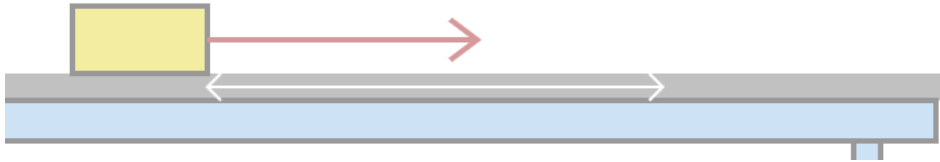
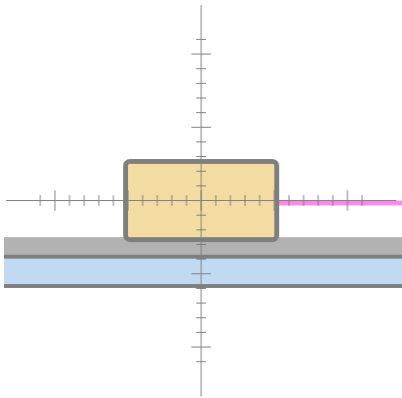


Work (Horizontal Net Work)

Step 1: Fill in all the information from your program into your picture



Step 2: Draw in the four forces that are acting on the block and then show your calculations for the three that are not given to you directly in the program



Step 3: Calculate the net work done in moving the block from the spot shown in the program through the distance indicated in the program

Step 4: Since the block started at rest, the net work done to the block will be equal to the final kinetic energy. Show the calculation of this final velocity based on net work. Enter your answers into the program to verify that you did everything correctly